

User's Manual

BmCO2

— on the go —

*2" thermal printer
w/rechargeable battery*



Notice

Pls read the Chapter carefully before printing!

Safety notice

- ◆ The printer is equipped with professional battery and power adapter. otherwise, it may cause product damaged, battery leakage, fire or explosion.
- ◆ If not use printer longer time, take out the battery, otherwise, it may cause battery leakage.
- ◆ The liquid of battery has corrosivity, if it is on Skin or clothes under incorrect instructions, pls wash it by water immediately. If it is in eyes, pls wash it clearly by water and go to see doctor.
- ◆ Don't open paper house when printing or just finished working, and forbidden to touch printhead, it may cause scald by high temperature.
- ◆ The power plug as power disconnect device, and it is next to printer and easy to touch.

Use Warning

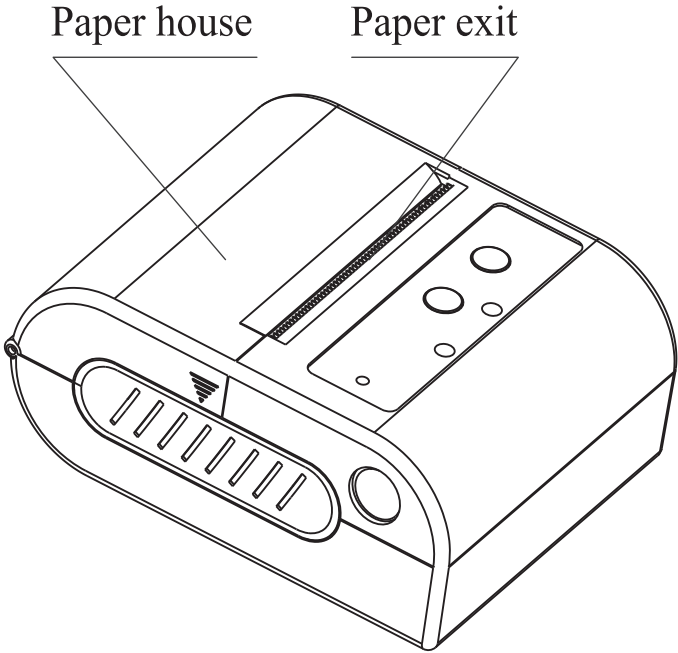
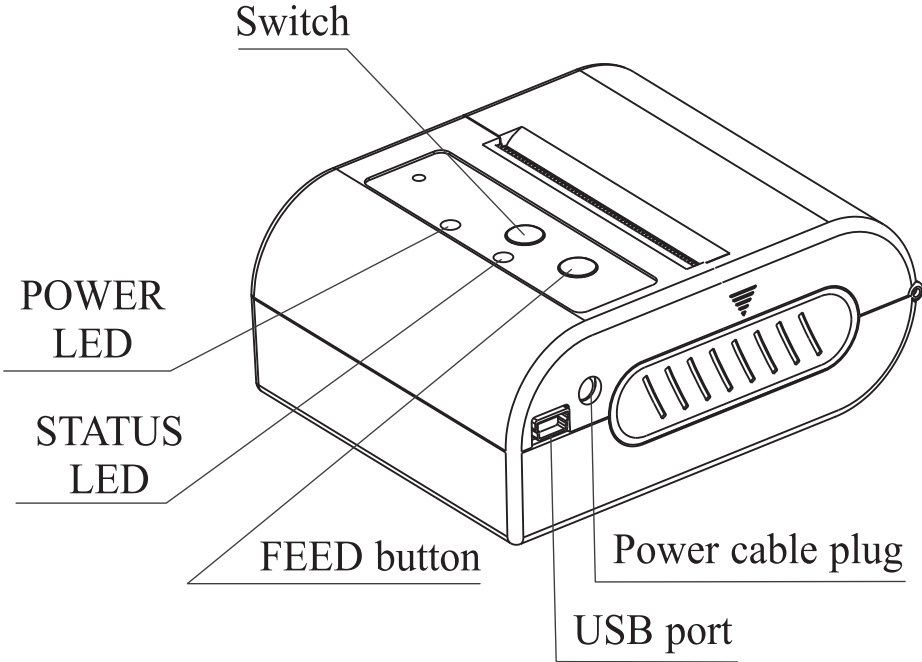
- ◆ Do not immersed the printer in water or rainy, it may cause damaged
- ◆ Don't open the paper house when printing, it may cause unnormal working
- ◆ Don't remove serial cable when COM port is working, it may cause data incomplete.
- ◆ The work distance not exceed 10 meters by Bluetooth printing, otherwise, it may cause messy code or not work.
- ◆ It works stable between 0°C and 45°C temperature, but higher or lower temperature may cause low quality printing.

- ◆ It may cause low quality printing and printer damaged by poor paper roll or longer storage roller printing.
- ◆ The printer will recharge after the battery all used up, then will guarantee life time. **Charge and discharge times are over 500 times, and its function will be reduced with the times increasing.**

Storage's attentions

- ◆ The printer's storing temperature is between $-10^{\circ}\text{C} \sim 60^{\circ}\text{C}$ and humidity is between 10% ~ 80%.
- ◆ If store the printer longer time, pls take the battery out and store it alone, otherwise, it may cause the battery not work, even leakage and printer damaged.
- ◆ If the battery stored more than 3 months, then recharge it after installed to avoid damage because of self-discharge.
- ◆ Pls select good quality of thermal paper roll if keep the receipts longer.
- ◆ Can not stored the paper roll in higher temperature or hotter environment. If it's opened, pls stored it in cool environment.

Outlook and model number for printer



Functions and features

Print

Printing method: Direct thermal

Paper width: 58mm

Resolution: 8 dots (203dpi)

Character per line: 384 dots/line

Printing speed: 70mm/s

Paper thickness: 0.06~0.08mm

1D Bar code: UPC-A/UPC-E/JAN13 (EAN13) JAN8 (EAN8) /
CODE39/ITF/CODABAR/CODE93/CODE128;

Characters: Chinese GB18030

Physical parameters

Dimension: 92.5 × 75.5 × 37mm (L × W × H)

Gross weight: 0.19 kg (No paper roll)

Paper roll diameter: ≤30mm

Interface: Bluetooth+USB+Serial

Environmental requirements

Working Temperature: 0°C~45°C

Working humidity: 10%~80%

Storage temperature: -10°C~60°C

Storage humidity: 10%~90%

Other Features

Paper method: Easy paper loading

Paper end sensor: STATUS LED is twinkle when paper runs out.

Control commands: Compatible with ESC/POS commands set.

Power : 2000 mAh rechargeable li-ion battery

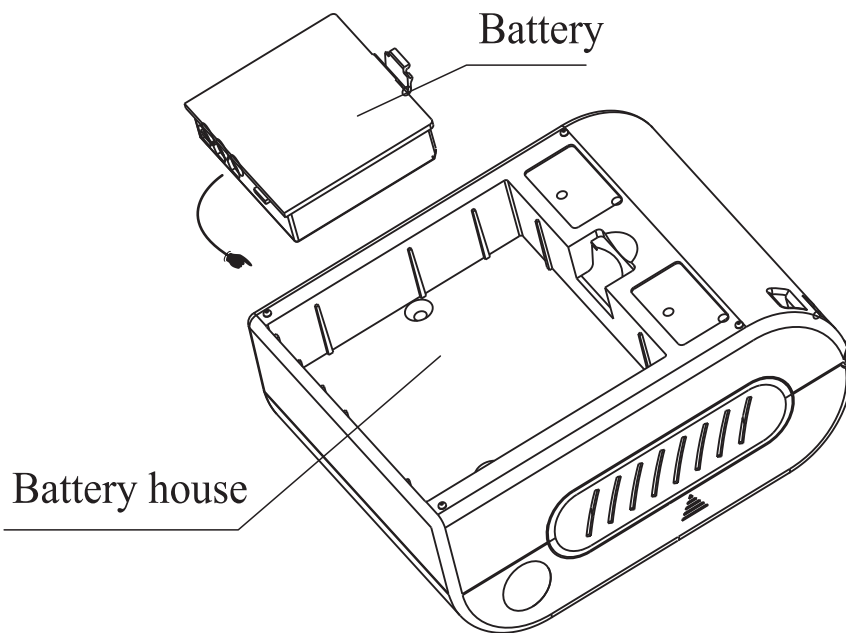
Charge: quick charge and can be full between 1 and 4 hours

A single charge time available: 25% printer column is more than 90m and standby time is over 7 days. It is technical reference, if the battery used longer and may cause power capacity down and not sure printing time.

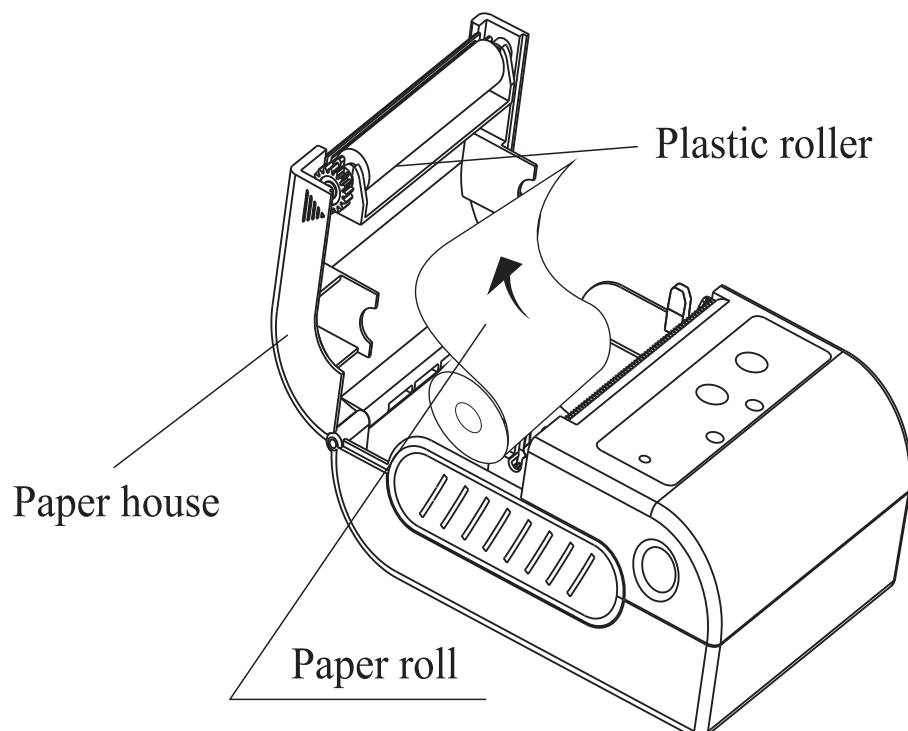
Methods of application

Preparation

Install battery



Install paper roll



Basic functions

Start

Press Power button for one second when it is off state, then it will enter to work and power LED is on.

Dormancy state

It will be in Dormancy state when lower power capacity. Then Power LED is off, STATUS is on, the printer stop working.

Off state

Press POWER button for one second under start state. The printer is off and all LEDs are off.

Self-test

The steps: Press FEED Button in off state, then restart power and release FEED, then the current state and printer settings showed on the bill.

Standby state

Manual Power button and it will enter standby state if printer not work longer, then will save battery level.

Notes: the printer not work and receive any data if power indicator off and state LED on, if want print, then restart POWER and ready printing.

Printer Test

The printer can be tested by printer CD .

Bluetooth connection

The hander terminal with Bluetooth, laptop and other pos terminals can be printed by drive.

BM-C02 Mobile printer can be compatible with Bluetooth 2.0 version, and continue work for 10m. Besides, our default BT-Name is printer Bluetooth printer, BT-Pin is 123456, it may amend BT-Name and Pin by POS Test software.

The master device should be paired to mobile printer before working, and Matching process initiated by the master device. The details of methods below:

1. Start printer
2. The master device search external Bluetooth Name
3. Select printer Bluetooth Printer if there are several external Bluetooth Names
4. Enter password 123456
5. Finished paired

Pls reference manual of Bluetooth for details pairing.

The mobile printer is ON state when pairing.

Notice: if user not amend BT-Name, pls not start several printers meanwhile, then will not sure which one is paired successfully.

Indicators and Beeper

There are 2 indicators on printer. One is POWER, the other is STATUS. The each functions below:

STATUS indicator

STATUS LED Longer time: the printer is ready

The STATUS LED Twinkle one time: The POWER Twinkle one time, and off for 1.2 seconds and alarm, then paper end sensor.

POWER Twinkle twice: The POWER Twinkle twice, and off for 1.2 seconds, then overheated printhead, then printer stop working.

Power indicator

Power LED Twinkle: the battery is charging.

Status indicator on: full charged.

Claim

It is A level product and may cause radio jamming under working environment.

If so, we may take active measure to avoid it.

Manufacturer shall have the right to change the contents of the manual without prior statement!



Warning : No part of this manual can be changed without agreement.

The company reserves the rights to modify the technology, components, software and hardware. You may ask the distributors for more product information. No part of chapter in this manual can be copied or transmitted in any format without permission.